



# 慈溪市万捷电子有限公司

## CIXI WANJIE ELECTRONIC CO., LTD

### REVISION RECORD

REV.	DESCRIPTION	ECN No.	APPROVED	DATE

### UL/CUL 技术参数

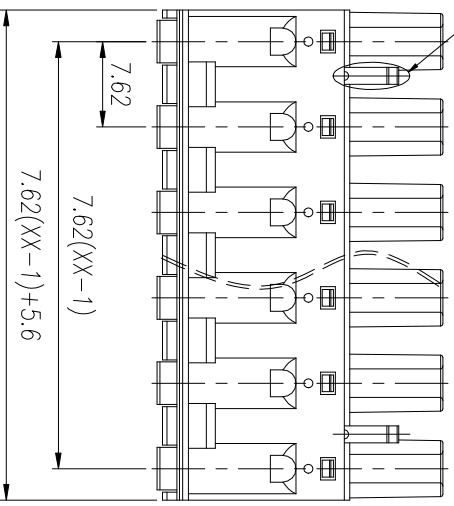
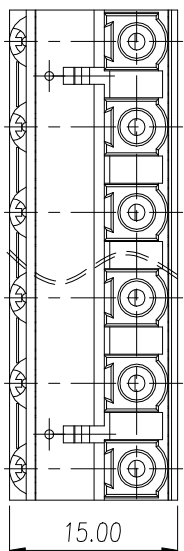
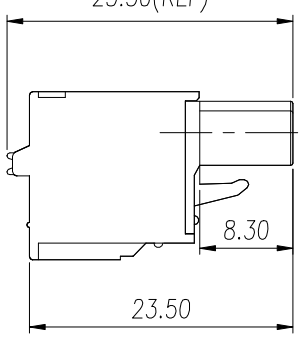
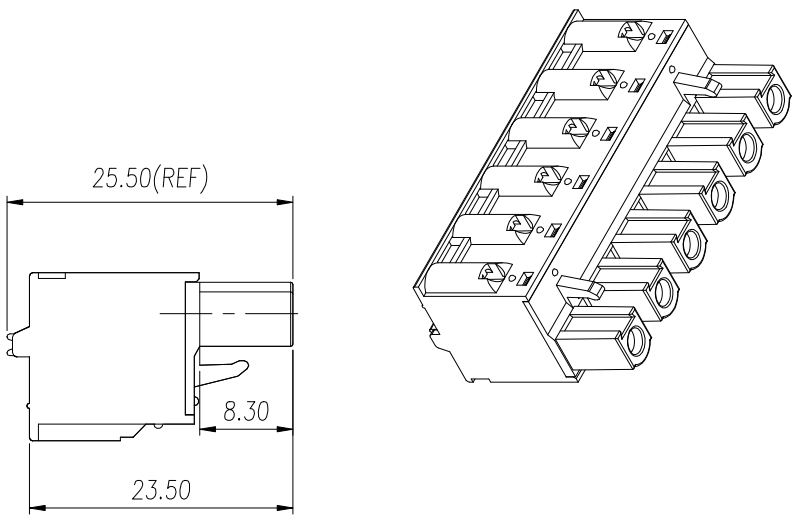


UL/CUL Technical Data	等级	B	C	D
额定电压 Rated Voltage [V]	300	-	300	300
额定电流 Rated Current [A]	10	-	-	10

导线范围 Wire Range	单/多芯线 Solid/Stranded [AWG]	28-12
耐压 Withstanding Voltage	1600V/1Min	

IEC 技术参数 IEC Technical Data	IEC 60984
过电压类别 Overvoltage Category	III III II
污染等级 Contamination Class	3 2 2
额定电压 Rated Voltage [V]	400 630 1000
额定电流 Rated Current [A]	12 12 12
额定冲击电压 Impulse withstand voltage [kV]	6.0 6.0 6.0

导线截面 Conductor cross section	0.2-2.5
材料 Material	P466
绝缘材料 Insulation Material	UL94V-0
阻燃等级 Inflammability	铜合金 Copper alloy
导体材料 Conductor Material	镀锡 Sn Plated
导体表面镀层 Conductive Coating	



一般参数 Other Data	
间距 Pitch / 极数 Poles [mm] / [P]	7.62/02-16
剥线长度 Stripping Length [mm]	7-8
螺丝 Screw/扭矩 Torque(Nm)	-
工作温度 Operating temperature [°C]	40-105
焊接温度 Soldering temperature	-
引脚/尺寸 Pin Dimensions [mm]	-
PCB孔径 PCB Hole Diameter [mm]	-

linear dimension(Tolerances Standard GB/T 14486-2008)	—	□	⊥
tolerance	±0.20	±0.30	±0.50
variable range	6 to 10	10 to 30	30 to 60
tolerance	±0.20	±0.30	±0.50
variable range	6 to 10	10 to 30	30 to 60
tolerance	±0.20	±0.30	±0.50
variable range	6 to 10	10 to 30	30 to 60
tolerance	±0.20	±0.30	±0.50
variable range	6 to 10	10 to 30	30 to 60

单位 / UNITS mm 尺寸 / SIZE A4 比例 / SCALE 1:5.1

第三视图/THIRD ANGLE PROJECTION 版本 / REV V0



慈溪市万捷电子有限公司  
CIXI WANJIE ELECTRONIC CO., LTD

名称 / TITLE WJ2EDGKD-7.62-XXP-1YY-00A